

Series DEF

• Diesel Exhaust Fluid Transfer



To handle 1/2", 3/4" or 1" I.D. hose.

- Narrow frame and compact mounting base.
- Non-sparking ratchet assembly.
- Declutching arbor to prevent damage from reverse winding.
- Standard inlet: 90° 304 stainless steel full-flow swivel with EPDM seals and female NPT threads.
- Standard fluid path and outlets: 304 stainless steel fluid path.
- Standard outlets: 1/2", 3/4" and 1" female NPT threads.
- Standard pressures to 2000 psi (138 bar).
- Temperatures from -40°F to +250°F (-40°C to +121°C).
- 4-way roller assembly.
- Constant tension is available – consult factory.



Optional "TR" position shown

PARTS DRAWING – ISO 246 (1/2" Hose), ISO 247 (3/4" Hose), ISO 248 (1" Hose)

Model Number	Hose Capacity of Reel feet m				Approx. Weight lb. kg			Standard Roller Assy.	Reel Dimensions*** in. mm							
	I.D. in. mm	1/2 13	3/4 19	1 25	NET	UPS/ FedEx SHIP Wt.	Freight SHIP Wt.		A	B	C	E	F	G	H	X
	O.D. in. mm	0.75 19	1.03 26	1.38 35												
DEF-425	25	-	-	-	52	64	87	N204	10	4	8	17.62	13	16.25	9.12	8
	8	-	-	-	24	29	39		254	102	203	448	330	413	232	203
DEF-450	50	-	-	-	64	82*	99	N204	10	4	10.5	20.75	13	20	10.62	8
	15	-	-	-	29	37	45		254	102	267	527	330	508	270	203
DEF-475	75	-	-	-	90	-	125	N204	10	4	15.5	25.25	13	26	13.62	8
	23	-	-	-	41	-	57		254	102	394	641	330	660	346	203
DEF-625	-	25	-	-	64	82*	99	N204	10	4	10.5	20.75	13.16	20	10.62	8
	-	8	-	-	29	37	45		254	102	267	527	334	508	270	203
DEF-650	-	50	-	-	79	92*	114	N204	10	4	10.5	23.75	13.16	24	12.62	8
	-	15	-	-	36	42	52		254	102	267	603	334	610	321	203
DEF-675	-	75	-	-	96	-	131	N206	12	6	15.5	25.25	15.16	26	13.62	10
	-	23	-	-	44	-	59		305	152	394	641	385	660	346	254
DEF-825	-	-	25	-	87	-	122	N204	10	4	10.5	23.75	14.25	24	12.62	8
	-	-	8	-	39	-	55		254	102	267	603	362	610	321	203
DEF-850	-	-	50	-	102	-	137	N206	12	6	10.5	25.25	16.25	26	13.62	10
	-	-	15	-	46	-	62		305	152	267	641	413	660	346	254

Notes:

A hose stop is necessary to keep spring from unwinding.

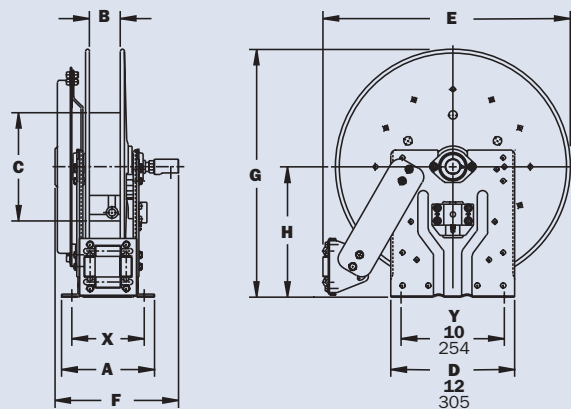
1. Specifications subject to change.
2. Reel models and capacities shown are for standard drag applications; for vertical lift applications, consult factory.
3. Other sizes, from standard components, available on request.

4. Be sure to check dimensions and weights prior to ordering.

NOTICE: A flexible connector must be used between the inlet pipe and the inlet swivel joint.

*Dimensional weight may apply when shipped as a parcel package (via FedEx or UPS Ground).

*** X, Y indicate mounting holes.



Available Roller Positions

